

2017 - 2018



Ü R Ü N K O L E K S İ Y O N U

D E S İ G N C O L L E C T I O N

**bürosıt**

## bürosit

1986 yılında **ERMETAL Otomotiv A.Ş.** bünyesinde, **Fahrettin Güleler** tarafından kurulan **BÜROSİT**'in hedefleri; üretkenlik, verimlilik, kalite ve müşteri memnuniyeti esaslarına dayanarak belirlenmiştir. **Bürosit** son teknoloji üretim bantları, işinde uzman çalışanları ve güçlü satış ağı ile sektöründe lider firmalar arasındadır. Yenilikçi ve öncü çizgisini **AR-GE** yatırımları ile de sürdüren **Bürosit**; Koltuk, Kanepeler ve Ofis Mobilyaları odağında tasarım & üretim yapmaktadır. Yolculuğuna yalnızca Ofis Koltuğu üreterek başlayan **BÜROSİT** şu an sunduğu **360° Ofis Çözümleri**, Yenilikçi Ürünleri ve Kişiyeye / Projeye özel tasarımları ile devam etmektedir.

**BÜROSİT** is founded in **1986** under **ERMETAL Otomotiv A.Ş.**, and its goals are based on principles of productivity, efficiency, quality and customer satisfaction. **Bürosit** is among the leaders in its sector with its state-of-the-art production lines, expert employees and strong sales network. **Bürosit** continues its innovation and leadership with **R&D investments**; and conducts design & manufacture focusing on Chairs, Couches and Office Furniture. **BÜROSİT** had started its journey manufacturing only Office Chairs, and currently continues by offering **360° Office Solutions**, Innovative Products and designs specific to People / Projects.

## İÇERİK / TABLE OF CONTENT

<b>OFİS MOBİLYALARI</b> OFFICE FURNITURES	FORUM WORKER SESTA MONO T-24	40 40 41 41 41	<b>KONFERANS KOLTUKLARI</b> CONFERENCE SEATINGS	
CEO GORDION BOSS BOSS MKYL COMPASSO PI-DESK PI-DESK MKYL SPES-SO SPES-SO MKYL WIDE INSPIRA APSYS GENESIS BASIC ORBIT BANKOLAR/COUNTERS ADAPTA DEPOLAMA/STORAGES DEPOLAMA SİSTEMLERİ/STORAGES KESONLAR/CABINETS METAL KÜTÜPHANE/METAL LIBRARY KİTAPLIK/LIBRARY PANO SEHPA/COFFEE TABLE ÖĞRENCİ SIRASI/STUDENT DESK SIMPLE ÖĞRENCİ MASASI/STUDENT DESK AKSESUARLAR/ACCESSORIES	10 11 12 13 13 14 15 15 16 16 17 18 19 20 21 22 22 23 24 24 24 25 25 26 26		RUBY DIAMOND SEDIA 2 ARTICA 2 MISTRAL PEARL 2 ASTRO	58 58 58 58 59 59 59
<b>OFİS KANEPERLERİ</b> OFFICE SOFAS	PARANTEZ IMPALA PANO CORE HABIT BRANDON PUNTO BALLOON JOLLY FES CHESTER BLOOM VOLGA CROWN CALDO MANGO NOVITA GENTILE CUBE HANDY PRIMER FOLD COSY	44 44 44 45 45 45 45 46 46 46 47 47 47 47 48 48 48 48 49 49 49 49 50	<b>ÜRÜN ÖLÇÜLERİ</b> PRODUCTS DIMENSIONS	
<b>OFİS KOLTUKLARI</b> OFFICE CHAIRS	SATINE M4 BANZAI BANZAI II SEDNA LUXE THRONE SHADOW CHESTER POWER MISTRAL IDEA LEGEND EDEN ORI REFLEX DAPHNE FILE PLUS FILE OMEGA APEX DOLPHIN MISTY MAESTRO-SONIC-PEDANT COSMO VIRGO AERO JOYA RABBIT RABBIT AHŞAP/TIMBER DREAM DESIRE OLA	28 29 30 30 30 31 31 31 32 32 32 33 33 33 34 34 34 35 35 36 36 36 37 37 37 38 38 38 39 39 40	<b>MOBİLYA ÖLÇÜLERİ</b> FURNITURE DIMENSIONS	60-62
			<b>KOLTUK ÖLÇÜLERİ</b> CHAIR DIMENSIONS	63-64
			<b>KANEPE ÖLÇÜLERİ</b> SOFA DIMENSIONS	65
			<b>ORTAK ALAN MOBİLYA ÖLÇÜLERİ</b> SOCIAL SEATING DIMENSIONS	66
			<b>KONFERANS KOLTUK ÖLÇÜLERİ</b> CONFERENCE SEATINGS DIMENSIONS	67-70
			<b>ORTAK ALAN MOBİLYALARI</b> SOCIAL SEATINGS	
			STARK NETY STONEBANK KUVARS FLUENT WARM STYLE VIRGO BEKLEME/BANK AERO BEKLEME/BANK OMEGA BEKLEME/BANK	52 53 53 53 54 54 54 55 55 55

**1986** AMORTİSÖRLÜ OFİS KOLTUĞU AR-GE ÇALIŞMALARINA ERMETAL BÜNYESİNDE BAŞLANDI. **1989** BÜROSİT'İN KURULUŞU İLE TÜRKİYE'DE İLK KEZ AMORTİSÖRLÜ OFİS KOLTUĞU SERİ ÜRETİMİNE BAŞLANDI. **1990** İSTANBUL'DA İLK BAYİMİZ AÇILDI. **1992** BÜROSİT TEST LABORATUVARI'NI KURARAK GS SERTİFİKASI ALINDI. İHRACATA BAŞLANDI. ÇEK CUMHURİYETİNDEKİ BRUNO MOBİLYA FUARINA KATILIM SAĞLANDI. **1994** OFİS MOBİLYASI ALANINDA AVRUPA'NIN EN ÖNEMLİ FUARI OLAN ALMANYA'DAKİ ORGATEC'E KATILIM SAĞLANDI. **1995** 10.000 m<sup>2</sup>LİK ÜRETİM TESİSİNE GEÇİLDİ. **1997** ÜRETİMDE İYİLEŞTİRME YAPARAK SERİ ÜRETİM HATLARI OLUŞTURULDU. ERMETAL ŞİRKETLER GRUBU'NA BAĞLI PLASMOT PLASTİK FABRİKASI'NDA MOBİLYALARDA KULLANILAN PLASTİK PARÇALAR ÜRETİLMEMEYE BAŞLANDI. **1998** KONFERANS VE SİNEMA KOLTUĞU ÜRETİMİNE BAŞLANDI. **2003** BÜROSİT TEST LABORATUVARI'NIN GELİŞTİRİLMESİYLE AVRUPA BİRLİĞİ STANDARTLARINDA TESTLER VE KALİTE DOĞRULAMA SÜREÇLERİ UYGULANMAYA BAŞLANDI. UZAK DOĞU PAZARINA GİRİLDİ. **2005** AVRUPA BİRLİĞİ ÇEVRE STANDARTLARINDA ARITMA YAPAN, FUL OTOMASYONLU BÜROSİT NİKEL-KROM KAPLAMA TESİSİ KURULDU. **2006** BÜROSİT FABRİKALARINDAKİ ÜRETİM BANTLARI YALIN ÜRETİM PRENSİPLERİNE GÖRE YENİLENDİ. BUR SÜREÇTE, İTÜ'DEN PROF. DR. MEHMET BÜLENT DURMUŞOĞLU YALIN ÜRETİM DANIŞMANLIĞI VE EĞİTİMLERİ VERDİ. **2007** KANEPE-SOFA ÜRETİMİNE BAŞLANDI. SATIŞ VE PAZARLAMA DEPARTMANLARI BURSA'DAKİ ŞİRKET MERKEZİNE ALINARAK, YÖNETİM, ÜRETİM VE PAZARLAMA SÜREÇLERİ BÜTÜNLEŞTİRİLDİ. BU DURUM ODAĞIMIZI MÜŞTERİYİ DOĞRUDAN DİNLEYEREK, SATIŞ VE SATIŞ SONRASI SÜREÇLER İLE MÜŞTERİ MEMNUNİYETİNE ÇEVİRMEME YARDIMCI OLDU. BÜROSİT, TÜM TÜKETİCİLERİ KORUMA DERNEĞİ'NDEN ALTIN MARKA ÖDÜLÜNE LAYIK GÖRÜLDÜ. **2008** FRANSIZ KOLTUK ÜRETİCİSİ SOKOA'NIN BAZI ÜRÜNLERİ ÜRETİLİP HEM TÜRKİYE'DE HEM DE MENA BÖLGESİNDE SATIŞI YAPILMAYA BAŞLANDI. **2010** MÜŞTERİ SORUNLARINI TAKİP EDEBİLMEK VE DAHA HIZLI CEVAP VEREBİLMEK İÇİN, KALİTE VE SÜREÇ YÖNETİMİ BİR YAZILIM ÜZERİNDEN TAKİP EDİLMEMEYE BAŞLANDI. ALMANYA'DA GERÇEKLEŞEN AVRUPA'NIN EN BÜYÜK OFİS MOBİLYALARI FUARI ORGATEC'E İKİNCİ KEZ KATILIM SAĞLANDI. **2011** OFİS MASALARI VE DEPOLAMA ÜRÜNLERİ GİBİ AHŞAP MOBİLYA ÜRETİMİNE BAŞLANDI. BÜROSİT PROJE DEPARTMANI KURULDU. İSPANYOL JG GRUP İLE İŞBİRLİĞİNE BAŞLANDI. **2012** BÜROSİT AR-GE MERKEZİ TARAFINDAN TÜBİTAK DESTEKLİ MOBİLYA KALİTE STANDART TEST GELİŞTİRME PROJESİNE BAŞLANDI. 24 AYLIK BU PROJEDE BÜROSİT, MOBİLYALARIN GÜVENLİK VE ERGONOMİK STANDARTLARA UYGUN GELİŞTİRİLMESİ VE ÜRETİLMESİ İÇİN TEST EKİPMANLARI VE SÜREÇLERİ GELİŞTİRİYOR. C-GEX TAM OTOMATİK DÖŞEME TEZGÂHLARI İLE ÜRETİM KALİTESİ İYİLEŞTİRİLEREK, BU SÜREÇTE DAHA EL EMEĞİ YOĞUN ÜRETİMDEN OTOMASYONA GEÇİŞ SAĞLANDI. **2013** EFQM (AVRUPA KALİTE YÖNETİMİ VAKFI) EĞİTİMLERİNİN ARDINDAN KURUMSAL MÜKEMMELİYETE YOLCULUK ÇALIŞMALARINA BAŞLANDI. KASIM 2013'TE EFQM KARARLILIK BELGESİ ALINDI BÜROSİT CONTRACT BAYİLERİ FAALİYETE GEÇİRİLDİ. KUZAY IRAK, SÜLEYMANİYE'DE BİR SHOWROOM AÇILDI. **2014** MARKA YATIRIMI ÇERÇEVESİNDE PAZARLAMA VE SATIŞ DEPARTMANLARI UZMANLIKLARA AYRILARAK ŞİRKET VİZYONU YENİLENDİ. KURUMSAL SÜRDÜRÜLEBİLİRLİK VE ÇEVRE RAPORU YAYINLANDI.

**1986** WE STARTED THE R&D TO DEVELOP OUR FIRST HYDRAULIC SUSPENSION OFFICE CHAIR MODEL. **1989** WITH THE ESTABLISHMENT OF BÜROSİT, WE STARTED THE MASS PRODUCTION OF HYDRAULIC SUSPENSION OFFICE CHAIRS IN TURKEY. **1990** OUR FIRST STORE OPENED IN İSTANBUL. **1992** WE ESTABLISHED BÜROSİT TEST LABORATORY AND QUALIFIED FOR THE GS CERTIFICATE. WE STARTED EXPORTING BÜROSİT PRODUCTS. WE TOOK PART IN BRUNO FURNITURE FAIR IN CZECH REPUBLIC. **1994** WE TOOK PART IN ORGATEC, THE MOST IMPORTANT EUROPEAN OFFICE FURNITURE FAIR, IN GERMANY. **1995** WE MOVED INTO OUR NEW 10.000 M2 PLANT. **1997** WE ORGANIZED THE PRODUCTION IN AN ASSEMBLE LINE. OUR SISTER COMPANY, PLASMOT PLASTIC FACTORY STARTED PRODUCING THE PLASTIC PARTS WE USE IN OUR FURNITURE. **1998** WE STARTED PRODUCING CONFERENCE AND CINEMA HALL CHAIRS. **2003** WITH FURTHER INVESTMENTS, BÜROSİT TEST LABORATORY MET EU STANDARDS. WE EXPANDED INTO ASIAN MARKETS. **2005** WE FOUNDED A FULLY AUTOMATED METAL PLATING WORKSHOP WITH A WASTE TREATMENT PROCESS THAT CONFORMS TO EU ENVIRONMENTAL REGULATIONS. **2006** WE REORGANIZED THE ASSEMBLY LINES IN BÜROSİT PLANTS ACCORDING TO LEAN PRODUCTION PRINCIPLES. AS PART OF THIS PROCESS, PROF. DR. MEHMET BÜLENT DURMUŞOĞLU FROM İSTANBUL TECHNICAL UNIVERSITY BECAME A LEAN PRODUCTION CONSULTANT AND TRAINER. **2007** WE STARTED PRODUCING OFFICE SOFAS AND ARMCHAIRS. WITH THE MOVE OF SALES AND MARKETING DEPARTMENTS TO THE COMPANY HEADQUARTERS IN BURSA, WE INTEGRATED MANAGEMENT, PRODUCTION AND MARKETING PROCESSES. AS A RESULT, WE FOCUSED ON CLIENT NEEDS AND PREFERENCES, SALES, AFTER SALES SERVICES AND CUSTOMER SATISFACTION. WE RECEIVED THE GOLDEN BRAND AWARD FROM TÜM TÜKETİCİLERİ KORUMA DERNEĞİ (ASSOCIATION FOR THE PROTECTION OF CONSUMER RIGHTS). **2008** WE STARTED TO PRODUCE THE DESIGNS OF FRENCH BRAND SOKOA IN TURKEY, AND BEGAN MARKETING M IN TURKEY AND MENA REGION. **2010** WE RESTRUCTURED OUR QUALITY MANAGEMENT PROCESS WITH THE INTEGRATION OF CUSTOMER COMPLAINTS AND FEEDBACK BY ADOPTING A CUSTOM SOFTWARE PROGRAM. WE TOOK PART IN ORGATEC FOR THE SECOND TIME. **2011** STARTED PRODUCING OFFICE FURNITURE SUCH AS TABLES AND STORAGE UNITS. WE ESTABLISHED BÜROSİT PROJECT DEPARTMENT. WE STARTED COOPERATION WITH THE SPANISH JG GROUP. **2012** BÜROSİT R&D CENTER STARTED A TÜBİTAK-BACKED R & D PROJECT TO DEVELOPED NEW QUALITY TEST PROCEDURES FOR FURNITURE. IN THIS 24-MONTH-LONG PROJECT, BÜROSİT DEVELOPED NEW EQUIPMENT AND PROCESSES TO PERFORM FURNITURE ERGONOMICS AND ENDURANCE TESTS. WE INTRODUCED C-GEX AUTOMATIC UPHOLSTERY MACHINES. ANOTHER STEP IN THE AUTOMATION OF OUR ASSEMBLY LINES, THESE MACHINES HELPED US AUTOMATE ANOTHER MANUAL LABOR-INTENSIVE PROCESS. **2013** WE STARTED A CORPORATE EXCELLENCE PROGRAM WITH THE EFQM (EUROPEAN FOUNDATION FOR QUALITY MANAGEMENT). IN NOVEMBER **2013**, WE RECEIVED THE EFQM COMMITTED TO EXCELLENCE CERTIFICATE. WE INTRODUCED BÜROSİT CONTRACT RESELLERS. WE OPENED A BÜROSİT SHOWROOM IN SULAYMANİYAH, NORTH IRAQ. **2014** WITHIN THE SCOPE OF BRANDING PROCESS, MARKETING AND SALES DEPARTMENT WAS DIVIDED INTO TWO DIFFERENT EXPERTISES, AND SO COMPANY VISION WAS RENEWED. CORPORATE SUSTAINABILITY AND ENVIROMENT REPORT WAS LAUNCHED.



O F İ S M O B İ L Y A L A R I

O F F I C E F U R N I T U R E S

### CEO



ACF.CE.04.010-R



ACF.CE.01.010-R



ACF.CE.40.001



ACF.CE.45.001



ACF.CE.30.001



ACF.TM.35.040



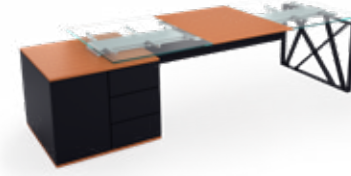
ACF.CE.30.031



ACF.CE.45.001

### YENİ ÜRÜN

### GORDION



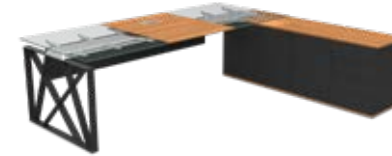
ACF.GD.04.008-L



ACF.GD.40.001



ACF.GD.01.008



ACF.GD.03.009-L



ACF.GD.65.001



### BOSS



ACF.BO.02.007-R



ACF.BO.40.001



ACF.BO.30.001



ACF.BO.65.002



ACF.BO.65.001

### BOSS MKYL



ACF.BO.02.016-L



ACF.BO.40.011



ACF.BO.65.012



ACF.BO.65.011



### COMPASSO



ACF.CM.04.006-R



ACF.CM.40.001



ACF.CM.65.001

### PI - DESK



ACF.PI.04.007-R



ACF.PI.01.026



ACF.PI.01.006



ACF.PI.04.017-R



ACF.PI.01.036



ACF.PI.01.016



ACF.PI.06.007-L



ACF.PI.40.001



ACF.PI.30.003



ACF.PI.06.017-L



ACF.PI.40.011



ACF.PI.30.013



ACF.PI.65.002



ACF.PI.60.001



ACF.PI.65.012



ACF.PI.60.011

### SPES - SO



ACF.SP.01.006  
ACF.SP.55.001



ACF.SP.40.001



ACF.SP.65.001  
ACF.SP.65.002



### SPES - SO MKYL



ACF.SP.01.016



ACF.SP.55.011



ACF.SP.40.011



ACF.SP.65.012



ACF.SP.65.011

### YENİ ÜRÜN

### WIDE



ACF.WD.03.007-R



ACF.WD.04.006-R



ACF.WD.40.001



ACF.WD.30.002



ACF.WD.65.001

### INSPIRA



ACF.IN.04.105-R



ACF.IN.06.005



ACF.IN.01.005



ACF.IN.30.002



YENİ  
ÜRÜN

### AP SIS



ACF.AP.04.003-R



ACF.AP.07.004



ACF.AP.01.003



ACF.AP.30.046



ACF.AP.36.002



ACF.AP.40.008

### GENESIS



ACF.GN.04.004-R



ACF.GN.06.004-R



ACF.GN.07.004-R



ACF.GN.01.004



ACF.GN.36.004



ACF.GN.30.001



### BASIC



ACF.BS.04.004-R



ACF.BS.06.004



ACF.BS.30.001



ACF.BS.01.004



ACF.BS.01.104



ACF.BS.01.204



ACF.BS.36.204



ACF.BS.03.004



ACF.BS.65.001



ACF.BS.65.101



ACF.BS.65.201

### YENİ ÜRÜN

### ORBIT



ACF.OB.03.004-R



ACF.OB.01.003



ACF.OB.01.103



ACF.OB.36.003



ACF.OB.40.011



ACF.OB.60.001



### BANKOLAR / COUNTERS



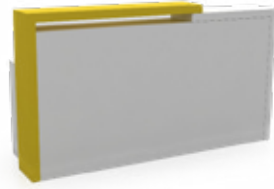
ACF.CU.50.001



ACF.HG.50.001



ACF.EN.50.001



ACF.SM.55.001

### DEPOLAMA SİSTEMLERİ / STORAGES



ACF.ST.43.001



ACF.ST.43.002



ACF.ST.40.024



ACF.ST.40.026



ACF.ST.40.012

### ADAPTA DEPOLAMA SİSTEMLERİ / STORAGES



ACF.ST.40.204



ACF.ST.40.202



ACF.ST.40.201



ACF.ST.40.015



ACF.ST.40.001



ACF.ST.42.061



ACF.ST.42.021

### KESONLAR / CABINETS



ACF.PF.60.001



ACF.KS.60.004

### METAL KÜTÜPHANE / METAL LIBRARY



ACF.MK.41.032



ACF.MK.41.022

### KİTAPLIK / LIBRARY



ACF.ST.41.001



ACF.ST.41.011



ACF.ST.41.021

### PANO SEHPA / COFFEE TABLE



ACF.PN.65.204



ACF.PN.65.107



ACF.PN.65.104



ACF.PN.65.301



ACF.PN.65.007

### ÖĞRENCİ SIRASI / STUDENT DESK



BOSS 11911



BOSS 11901



## SIMPLE ÖĞRENCİ MASASI / STUDENT DESK



ACF.OM.02.002



ACF.OM.02.001

## AKSESUARLAR / ACCESSORIES



Kalemlik Taşıyıcı  
AF10.21020/0230

Kalemlik  
AH11.00190

140 cm Kumaş Seperatör Takımı  
AY15.05052

Kağıtlık  
AF10.21010/0230

Dosyalık  
AF10.21000/0230

Priz Sistemi Kapakı  
AH11.00131

Helix Dikey Kablo Kanalı  
AH11.00124



OFİS KOLTUKLARI

OFFICE CHAIRS

SATINE



BSN 12300

YENİ  
ÜRÜN

M4



BM4 16001



BM4 16002



BM4 16003



BM4 16004



### BANZAI



BBZ 09301



BBZ 09321

### BANZAI II



BBZ 11851



### SEDNA LUXE



BSA 27010



BSA 27020



BSA 27048



BSN 27081

### YENİ ÜRÜN THRONE



BTR 16100



BTR 16105



BTR 16110

### SHADOW



BSH 24420



BSH 24423

### CHESTER



MKCHM 100



MKCHM 200



MKCHM 203



### POWER



BPW 21612



BPW 21622



BPW 21641

### LEGEND



BLG 27100



BLG 27120



BLG 27140

### MISTRAL



BML 21372



BML 21382



BML 21402

### EDEN



MRS 13111



MRS 13121



MRS 07141

### IDEA



BDA 25100



BDA 25110



BDA 25400

### ORI



BOR 13011



BOR 13050



BOR 13110



BOR 13200

**REFLEX**



BRF 14039



BRF 14007



BRF 13053



BRF 11922

**FILE**



BFL 28305



BFL 28306



BFL 09131

**DAPHNE**



BDP 14032



BDP 13515



BDP 13615



BDP 09751

**OMEGA**



BOM 24456



BOM 24462



BOM 24481

**FILE PLUS**



BFL 28330



BFL 28331



BFL 10340

**APEX**



BAX 24401



BAX 24411



BAX 24431

### DOLPHIN



MDP 07111



MDP 07121



MDP 07141

### MISTY



BYM 22001



BYM 23111



BYM 22031

### MAESTRO



BMD 97110



BMD 97100



BCH 97300

### PEDANT



BMS 97200

### COSMO



BBS 96481



BBS 96401



BBS 96400



BSK 96441

### VIRGO



BKVRG420



BKVRG300



BKVRG200



BKVRG100

### AERO



BKARO 820



BKARO 300



BKARO 200



BKARO 130

### JOYA



BKMDS 430



BKMDS 400

### RABBIT



BBMDS 589



BBMDS 587



BBMDS 581



BBMDS 816

### RABBIT AHŞAP / TIMBER



BBMDS 508



BBMDS 511



BBMDS 784

### DREAM



BDR 27226



BDR 27225

### DESIRE



BDS 10353



BDS 25452



BDS 10313



BDS 25412



BDS 25501



## OLA

---



BMS 13100

## FORUM

---



MFR 07021



MFR 07111



MFR 07011



MFR 07010

## WORKER

---



BIK 13110

## SESTA

---



BST 21410



BST 21411

## MONO

---



MTB 07051



MTB 07011

## T24

---



BBMDS 900



BBMDS 910



OFİS KANEPELERİ

OFFICE SOFAS

### YENİ ÜRÜN

### PARANTEZ



BKPRT211



BKPRT 111



BKPRT200



BKPRT100

### IMPALA



BKIMP 410



BKIMP 320

### PANO



BKMDS310



BKMDS110

### CORE



BKCOR 200



BKCOR 100

### HABIT



BKHBT 300



BKHBT 200



BKHBT 100

### BRANDON



BKBRN 300



BKBRN 200



BKBRN 100

### PUNTO



BKPNT200



BKPNT100

**BALLOON**



BKBLN 133



BKBLN 113



BKBLN 100



BKBLN 200



BKBLN 210

**JOLLY**



BKJLY 200



BKJLY 100

**FES**



BKFES 100



**CHESTER**



MKOXF 200



MKOXF 100

**BLOOM**



BKBLM 300



BKBLM 200



BKBLM 100

**VOLGA**



BKVLG 200



BKVLG 100

**CROWN**



MKCRW 300



MKCRW 100



### CALDO



BKCLD 200



BKCLD 100

### CUBE



BKCUB 300



BKCUB 200



BKCUB 100

### MANGO



MKMNG 300



MKMNG 100

### HANDY



MKHND 100



### NOVITA



BKNVT 200



BKNVT 100

### PRIMER



BKPRI 100



### GENTILE



MKGEN 300



MKGEN 200



MKGEN 100

### FOLD



MKFLD 110

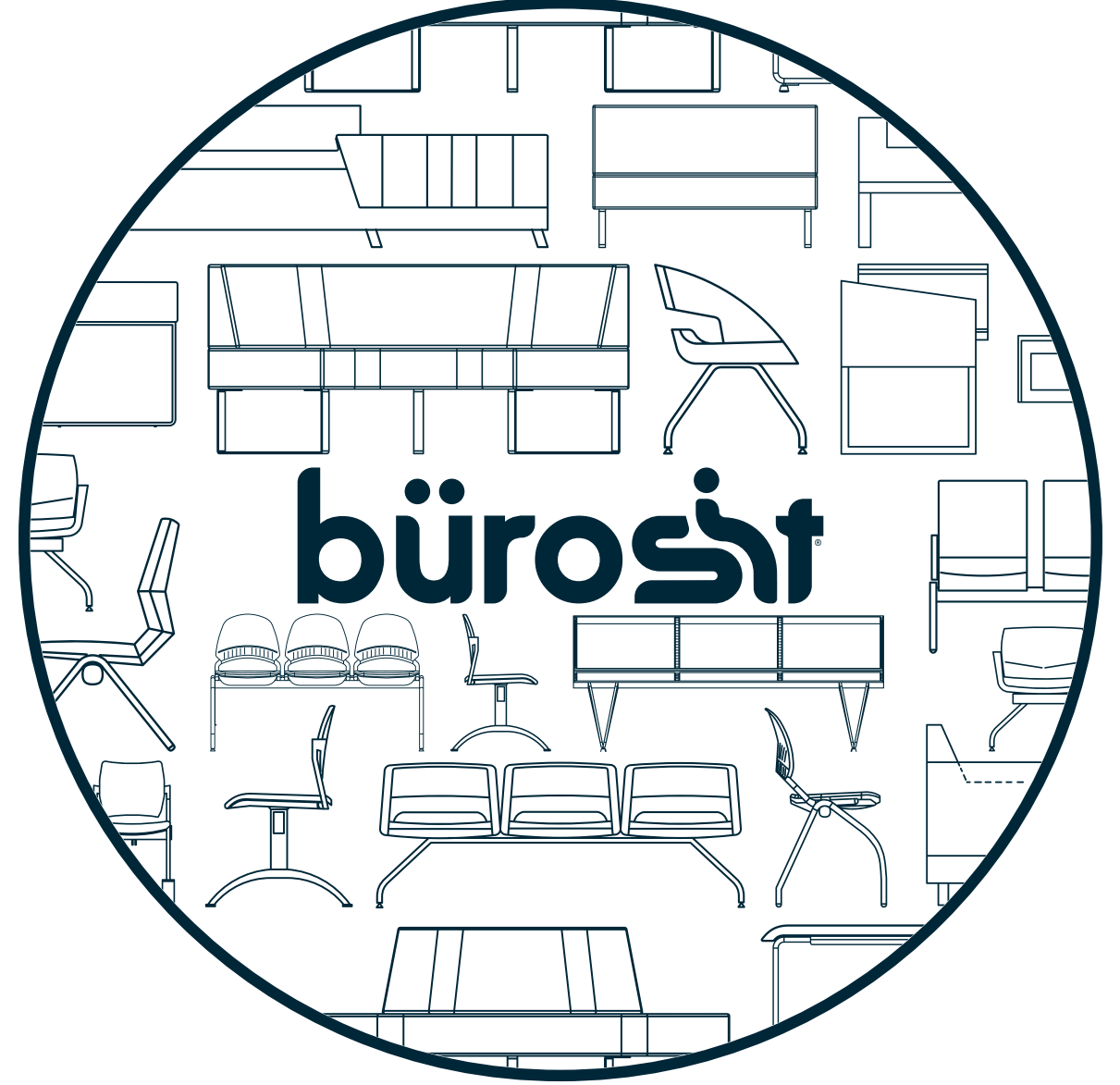




BKCSY 100



BKCSY 110



ORTAK ALAN MOBİLYALARI

SOCIAL SEATINGS

YENİ  
ÜRÜN

### STARK



BST 16520



BST 16545



BST 16550



BST 16520



BST 16525



BST 16530



### NETY



BKNTY 216



### STONEBANK



BKSTB 160



### KUVARS



BKKVS 230



### FLUENT



BFN 13187



BFN 13188



BFN 13186



BFN 13805

### WARM BEKLEME



BKWRM 100

### STYLE



BKSTY 100



### VIRGO BEKLEME / BANK



BKVRG 600



### AERO BEKLEME / BANK



BKARO 400



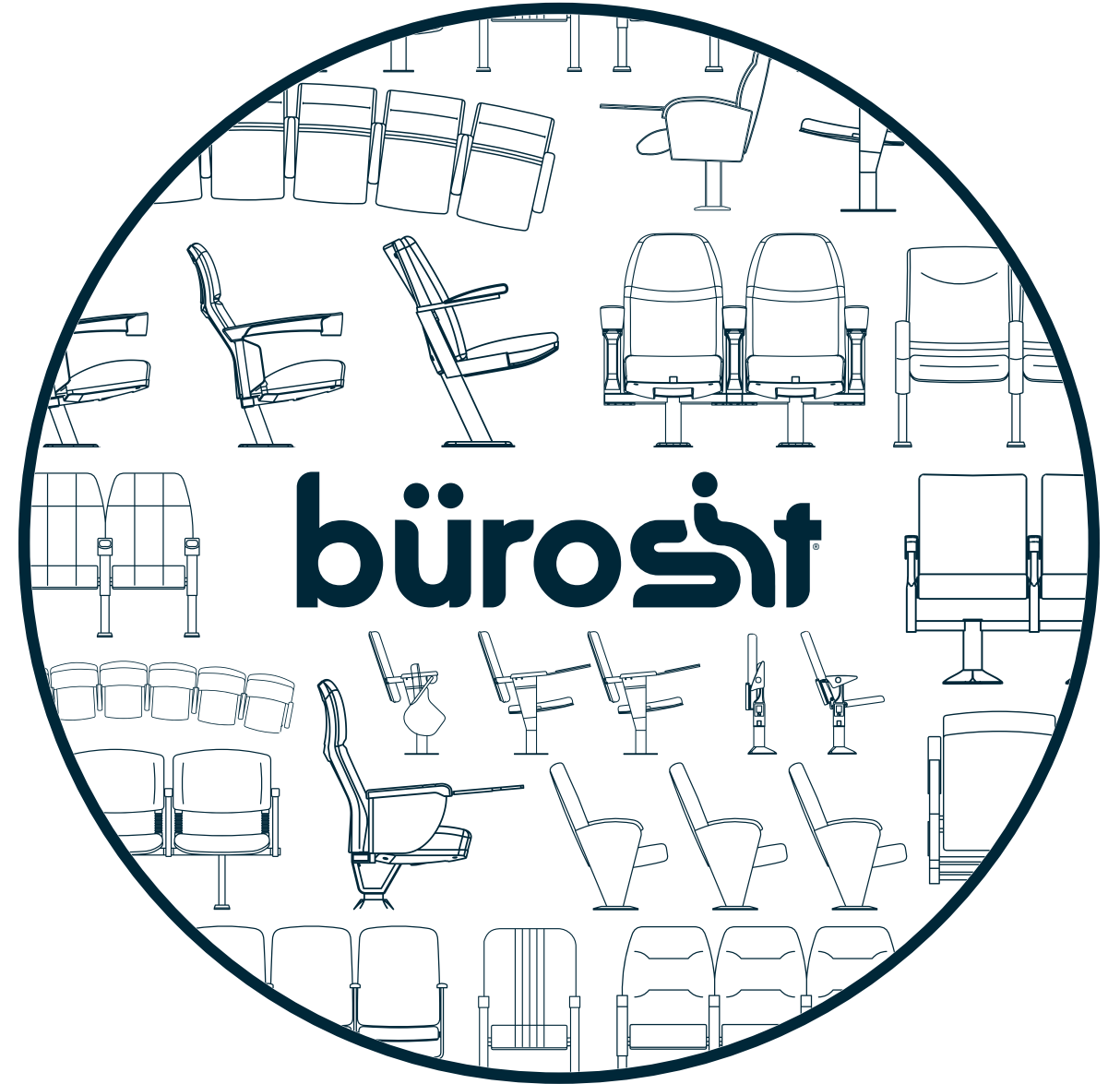
### OMEGA BEKLEME / BANK



BOM 26243



BOM 26242



K O N F E R A N S K O L T U K L A R I  
C O N F E R E N C E S E A T I N G S

**RUBY**



BRB 09100



BRB 233310



**MISTRAL**



BML 99230



BML 99240

**DIAMOND**



BDM 10200



BDM 10310



**PEARL 2**



BPR 20285



**ASTRO**



MAS 07710



**SEDIA 2**



BSD 99222

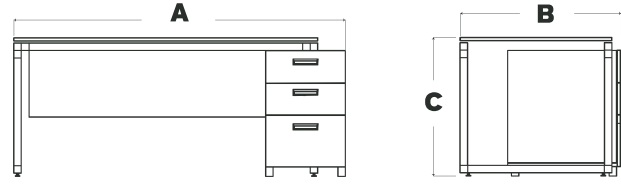


**ARTICA 2**



BAR 09600





	A	B	C
<b>CEO</b>			
Ceo Etajerli Masa Desk with shelving	330 310 290 270	215 215 215 215	74 74 74 74
Ceo Tekil Masa Single desk	300 280 260	100 100 100	74 74 74
Ceo Dolap Cabinet	300 260	50 50	74 74
Ceo TV Ünitesi TV unit	200	50	62
Ceo Toplantı Masası Meeting desk	450	150	74
Ceo Yuvarlak Toplantı Masası Oval meeting desk	-	130	74
Ceo Sehpa Coffee table	75 110	75 75	40 40
<b>GORDION</b>			
Gordion Tekil Masa Single Desk	300 280 260 240	100 100 100 100	74 74 74 74
Gordion Etajerli Masa Desk with Shelving	300 280 260 240	202 202 202 202	74 74 74 74
Gordion Taşıyıcı Kesonlu Masa Desk with filing cabinet	340 320 300 280	100 100 100 100	74 74 74 74
Gordion Toplantı Masası Meeting Desks	300 240	140 110	74 74
Gordion Dolap Cabinet	240	46	74
Gordion Sehpa Coffee table	70 70	105 70	41 41

	A	B	C
<b>BOSS / BOSS MKYL</b>			
Boss Etajerli Masa Desk with shelving	240 220 200	185 185 185	74 74 74
Boss Dolap Cabinet	200	50	74
Boss Toplantı Masası Meeting desk	400	120	74
Ceo Sehpa Coffee table	90 55	60 55	45 45

	A	B	C
<b>COMPASSO</b>			
Compasso Etajerli Masa Desk with shelving	260 240	212 212	75 75
Compasso Dolap Cabinet	242	42	84
Compasso Sehpa Coffee table	60	60	42

	A	B	C
<b>PI-DESK / PI-DESK MKYL</b>			
Pi-Desk Etajerli Masa Desk with shelving	240 220 200 180	223 223 223 223	74 74 74 74

	A	B	C
Pi-Desk Tower Masa Tower desk	220 200 180	90 90 90	74 74 74

	A	B	C
Pi-Desk Tekil Masa Single desk	220 200 180	90 90 90	74 74 74

	A	B	C
Pi-Desk Yan Tablalı Masa Desk with side board	240 220 200 180	190 190 190 190	74 74 74 74

	A	B	C
Pi-Desk Dolap Cabinet	240 212	45 45	74 74

	A	B	C
Pi-Desk Toplantı Masası Meeting desk	280 240 160	110 110 160	74 74 74

	A	B	C
Pi-Desk Sehpa Coffee table	100 60	60 60	35 35

	A	B	C
Pi-Desk Keson Filing cabinet	42	60	60

	A	B	C
<b>SPES-SO / SPES-SO MKYL</b>			
Spes-so Tekil Masa Single desk	220 200 180	90 90 90	74 74 74
Spes-so Etajer Shelving	120	45	60
Spes-so Dolap Cabinet	166	45	85
Spes-so Sehpa Coffee table	75 50	50 50	40 40

	A	B	C
<b>WIDE</b>			
Wide Tekil Masa Single Desk	240 220 200	90 90 90	75 75 75
Wide Etajerli Masa Desk with Shelving	263 243 223	212 212 212	75 75 75
Wide Taşıyıcı Kesonlu Masa Desk with Filing Cabinet	270 250 230	90 90 90	75 75 75
Wide Toplantı Masası Meeting Table	300 240	120 110	75 75
Wide Dolap Cabinet	208	50	85
Wide Sehpa Coffee Table	90	60	43

	A	B	C
<b>INSPIRA</b>			
Inspira Etajerli Masa Desk with shelving	200 180	200 200	74 74
Inspira Yan Tablalı Masa Desk with side board	200 180 200 180	180 180 190 190	74 74 74 74
Inspira Tekil Masa Single Desk	200 180 200 180	80 80 90 90	74 74 74 74
Inspira Toplantı Masası Meeting desk	200	120	74

	A	B	C
<b>APSIS</b>			
Apsis Etajerli Masa Desk with shelving	250 230 230 210 210 190 170	170 160 160 160 160 160 160	73 73 73 73 73 73 73

	A	B	C
Apsis Tekil Masa Single Desk	220 200 180 160 140	90 90 90 80 80	73 73 73 73 73

	A	B	C
Apsis Yan Tablalı Masa Desk with side board	220 200 180 180 160 140	170 170 170 160 160 160	73 73 73 73 73 73

	A	B	C
Apsis İş İstasyonu Workstation	180 140	160 160	73 73

	A	B	C
Apsis Toplantı Masası Meeting Desks	240 220 200	120 120 120	73 73 73

	A	B	C
Apsis Dolap Cabinet	180	46	110

	A	B	C
<b>GENESIS</b>			
Genesis Etajerli Masa Desk with shelving	223 203 183	150 150 150	73 73 73
Genesis Taşıyıcı Kesonlu Yan Tablalı Masa Desk with cabinet & side board	200 180 160 140	160 160 160 160	73 73 73 73
Genesis Yan Tablalı Masa Desk with side board	200 180 160 140	160 160 160 160	73 73 73 73
Genesis Tekil Masa Single desk	200 180 160 200	80 80 80 80	73 73 73 73
Genesis İş İstasyonu Workstation	180 160 140	160 160 160	73 73 73
Genesis Toplantı Masası Meeting desk	240 200	120 90	73 73
Genesis Sehpa Coffee table	50 42	90 42	40 40

	A	B	C
<b>BASIC</b>			
Basic Etajerli Masa Desk with shelving	223 203 183 163 143	160 160 160 160 160	73 73 73 73 73
Basic Yan Tablalı Taşıyıcı Kesonlu Masa Desk with filing cabinet & side board	200 180 160 140	160 160 160 160	73 73 73 73

	A	B	C
Basic Taşıyıcı Kesonlu Masa Desk with filing cabinet	223 203 183 163 143	80 80 80 80 80	73 73 73 73 73

	A	B	C
Basic Yan Tablalı Masa Desk with side board	200 180 160 140	160 160 160 160	73 73 73 73

	A	B	C
Basic Tekil Masa (Tip 1/2/3) Single Desk (Type 1/2/3)	200 180 160 140	80 80 80 80	73 73 73 73

	A	B	C
Basic İş İstasyonu Workstation	180 160 140	160 160 160	73 73 73

	A	B	C
Basic Toplantı Masası Meeting desk	240 220	110 110	73 73

	A	B	C
Basic Sehpa Coffee table	60 50	90 50	45 45

	A	B	C
<b>ORBIT</b>			
Orbit Taşıyıcı Kesonlu Masa Desk with filing cabinet	198 178 158	80 80 80	73 73 73
Orbit Tekil Masa Single Desk	180 160 140	80 80 80	73 73 73
Orbit İş İstasyonu Workstation	180 160 140	160 160 160	73 73 73
Orbit Dolap Cabinet	180	46	110
Orbit MKYL Keson Melamine Filing cabinet	45	45	55
Orbit Sehpa Coffee table	60 50	60 70	40 40

**BANKOLAR /COUNTERS**

Caunter Banko Counter	350	80	90
Huge Banko Counter	350	80	105
Energy Banko Counter	250	80	105
Steam Banko Counter	200	65	115

**TOPLANTI MASALARI /MEETING DESKS**

Elips Toplantı Masası /Meeting Desk	300	150	73
Kare Toplantı Masası /Meeting Desk	120	120	74
Dikdörtgen Toplantı Masası /Meeting Desk	200	90	74
Oval Toplantı Masası /Meeting Desk	440 400 350 300	160 150 120 120	74 74 74 74
U Toplantı Masası /Meeting Desk	590	420	73

**DEPOLAMA SİSTEMLERİ /STORAGES**

Adapta Dolap /Cabinet	271 271 271 182	46 46 46 46	160 105 85 85
Kapaksız Dolaplar /Unit without door	80 80 80 80	40 40 40 40	190 155 118 80
Kapaklı Dolaplar /Unit with door	80 40 80 40 40 80 40 40	40 40 40 40 40 40 40 40	190 190 155 155 118 118 80 80

	A	B	C
Cam Kapaklı Dolaplar Unit with glazed door	80 40 80 40 80 40 40	40 40 40 40 40 40 40	190 190 155 155 118 118 80 80
Z Dolap Cabinet	50 100	53 53	190 190

**KÜTÜPHANE SİSTEMLERİ**

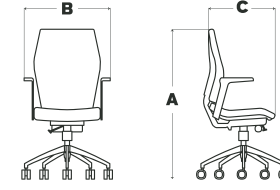
Metal Kütüphane Tekli-Tek Taraflı Single Metal Library-Single Side	95	34	200
Metal Kütüphane Tekli-Çift Taraflı Single Metal Library-Double Side	95	64	200
Metal Kütüphane İkili-Tek Taraflı Double Metal Library-Single Side	186	34	200
Metal Kütüphane İkili-Çift Taraflı Double Metal Library-Double Side	186	64	200
Metal Kütüphane Üçlü-Tek Taraflı Triple Metal Library-Single Side	277	34	200
Metal Kütüphane Üçlü-Çift Taraflı Triple Metal Library-Double Side	277	64	200
Kitaplıklar /Library	80 40 80 40 80 40	35 35 35 35 35 35	190 190 155 155 118 118
Giyinme Dolabı /Wardrobe	80 40	53 53	190 190
Hareketli Keson /Portable filing cabinet	42	50	60
Puf Keson /Pouf filing cabinet	50	45	45

**ÖĞRENCİ MASASI /STUDY DESK**

*Öğrenci Masası /Student desk	70	50	75
		*Kitap aralığı 11cm Bookcase gap	

**SİMPLE ÖĞRENCİ MASASI/STUDY DESK**

Simple Öğrenci Masası Tekli-Siperlikli Single Study Desk with Shelter	75	55	74
Simple Öğrenci Masası İkili-Siperlikli Double Study Desk with Shelter	138	55	74
Simple Öğrenci Masası Tekli-Sepetli Single Study Desk with Basket	75	55	74
Simple Öğrenci Masası İkili-Sepetli Double Study Desk with Basket	138	55	74



	A	B	C
<b>SATINE</b>			
Satine	132-120	66	95-60
<b>M4</b>			
M4-9 Başlıklı/With Head Rest	142-129	73	68-64
M4-9	124-111	73	68-64
M4-7	117-104	73	68-64
M4-5	114-101	77	53
<b>BANZAI</b>			
Banzai 4+1	142-115	79-70	89-45
Banzai 4+2	142-115	79-70	89-45
<b>BANZAI II</b>			
Banzai II 4+1	142-115	79-70	89-45
<b>SEDNA LUXE</b>			
Sedna Luxe 9 Başlıklı /With Head Rest	138-121	63	90-53
Sedna Luxe 9	111-104	63	80-53
Sedna Luxe 7	105-96	63	76-54
Sedna Luxe 3	97	58	59
<b>THRONE</b>			
Throne 9	132-124	57	63
Throne 7	110-100	62,5	57
Throne 3	94	61	63
<b>CHESTER</b>			
Chester Makam /Prestige	134-121	66	90-74
Chester Şef /Chief	116-103	66	86-75
Chester Misafir /Guest	94	66	79
<b>POWER</b>			
Power 9	133-120	66	91-75
Power 7	114-101	66	85-72
Power 3	94	66	80
<b>MISTRAL</b>			
Mistral 9	126-113	62	86-71
Mistral 7	107-94	62	81-71
Mistral 3	91	61	50
<b>IDEA</b>			
Idea 9	139-126	66	82-63
Idea 7	122-108	66	77-59
Idea 3	93	63	72
<b>LEGEND</b>			
Legend 9	126-118	61	92-64
Legend 7	101-94	60	76-62
Legend 3	99	60	60
<b>EDEN</b>			
Eden 9	129-116	60	72-45
Eden 7	112-99	60	72-52
Eden 3	98	60	61

<b>ORI</b>			
Ori 9 Başlıklı /With Head Rest	144-117	65	82-57
Ori 9	118-100	65	73-51
Ori 7	104-91	68	70-52
Ori 3	89	56	60

<b>REFLEX</b>			
Reflex 9 Başlıklı /With Head Rest	140-121	68	84-53
Reflex 9	116-103	68	72-50
Reflex 7	107-94	66	65-46
Reflex 3	91	56	56

<b>DAPHNE</b>			
Daphne 9 Başlıklı /With Head Rest	138-124	63	89-55
Daphne 9	114-105	63	77-52
Daphne 7	106-97	63	71-52
Daphne 3	94	56	58

<b>FILE PLUS</b>			
File Plus 9	133-120	65	83-56
File Plus 7	111-98	65	77-57
File Plus 3	86	60	60

<b>FILE</b>			
File 9	133-120	65	83-56
File 7	111-98	65	77-57
File 3	86	60	60

<b>OMEGA</b>			
Omega 9	138-125	59	72-56
Omega 7	107-94	57	66-55
Omega 3	92	56	60

<b>APEX</b>			
Apex 9	113-106	60	84-71
Apex 7	103-96	62	75-64
Apex 3	93	61	66

<b>DOLPHIN</b>			
Dolphin 9	121-112	61	82-69
Dolphin 7	99-90	61	76-67
Dolphin 3	89	62	66

<b>MISTY</b>			
Misty 9	114-105	60	64-53
Misty 7	103-95	60	63-51
Misty 3	88	59	63

<b>MAESTRO</b>			
Maestro VBR	115-106	60	87-64
Maestro	115-106	60	87-64
Sonic	99-91	59	79-62
Pedant	87	60	65

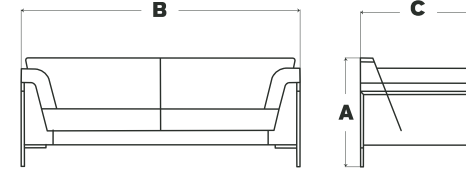
<b>COSMO</b>			
Cosmo Kolçaklı Vezne Çemberli With armrest & footrest	114-95	55	59-51
Cosmo Kolçaksız Vezne Çemberli Without armrest with footrest	114-95	43	58-51
Cosmo Kolçaklı /With armrest	100-88	65	58-49
Cosmo Kolçaksız /Without armrest	100-88	43	58-49



**KOLTUK ÖLÇÜLERİ**  
**CHAIR DIMENSIONS**

	A	B	C
<b>VIRGO</b>			
Virgo 4 Ayaklı /Four part footing	78	63	56
Virgo 4V Ayaklı /4V footing	78	63	56
Virgo Boru Ayaklı /Tube base	78	63	56
Virgo Çapraz Ayaklı /Cross footing	78	63	56
<b>ÆRO</b>			
Aero 4 Ayaklı /Four part footing	76	62	57
Aero 4V Ayaklı /4V footing	76	62	57
Aero Boru Ayaklı /Tube base	76	62	57
Aero Çapraz Ayaklı /Cross footing	76	62	57
<b>JOYA</b>			
Joya Yıldız Ayaklı Wheeled star shaped base	88-75	52	56
Joya Sabit Ayaklı Kolçaklı Stationary metal based & armrest	78	52	56
Joya Sabit Ayaklı Kolçaksız Stationary metal base	78	52	56
<b>RABBIT</b>			
Rabbit 4 Tekerlekli /With 4 wheels	78	54	55
Rabbit 2 Tekerlekli /With 2 wheels	78	54	55
Rabbit 4 Ayaklı /Stationary metal base	78	54	55
Rabbit Boru Ayaklı /Tube base	78	54	55
<b>RABBIT AHŞAP /TIMBER</b>			
Rabbit Mod 1	88	50	56
Rabbit Mod 2	78	50	53
Rabbit Mod 4	78	50	53
Rabbit Mod 5	78	50	53
Rabbit Mod 6	78	50	56
Rabbit Mod 6 Kolçaklı /With armrest	78	54	53
<b>DREAM</b>			
Dream 4 Ayaklı Kolçaklı Stationary metal based with armrest	114-95	55	59-51
Dream 4 Ayaklı Yazı Sehpalı Stationary metal base with writing desk	114-95	43	58-51
Dream 4 Tekerlekli With 4 wheels	100-88	65	58-49
Dream 4 Tekerlekli Kolçaklı With 4 wheels & armrest	100-88	43	58-49

	A	B	C
<b>DESIRE</b>			
Desire Yıldız Ayaklı Kolçaksız Wheeled star shaped base without armrest	95-81	51	51
Desire Yıldız Ayaklı Kolçaklı Wheeled star shaped base with armrest	95-85	60	51
Desire 4 Tekerlekli Kolçaksız With 4 wheels without armrest	78	56	51
Desire 4 Tekerlekli Kolçaklı With 4 wheels & armrest	78	63	51
Desire 2 Tekerlekli Kolçaksız With 2 wheels without armrest	78	56	51
Desire 2 Tekerlekli Kolçaklı With 2 wheels & armrest	78	67	51
Desire Sabit Ayaklı Kolçaksız Stationary metal base without armrest	77	56	53
Desire Sabit Ayaklı Stationary metal base	77	67	53
Desire Sabit Ayaklı Kolçaklı Yazı Sehpalı Stationary metal base with armrest & writing desk	77	61	66
Desire Sabit Ayaklı Yazı Sehpalı Stationary metal base with writing desk	77	63	66
<b>OLA</b>			
Ola	79	54	58
<b>FORUM</b>			
Forum Tek Kolçaklı With single armrest	81	62	59
Forum 2 Kolçaklı Sehpalı With 2 armrest & writing desk	81	62	80
Forum Tek Kolçaklı Sehpalı With single armrest & writing desk	81	57	80
Forum Kolçaksız Without armrest	81	48	59
<b>WORKER</b>			
Worker	126-106	47	62-43
<b>SESTA</b>			
Sesta Tabure /Stool	76-56	56	-
Sesta Tabure Çemberli Stool with footrest	76-56	56	-
<b>MONO</b>			
Mono Tabure /Stool	69-52	56	-
Mono Tabure Çemberli Stool with footrest	69-52	56	-
<b>T-24</b>			
T-24	83	52	54



	A	B	C
<b>PARANTEZ</b>			
Parantez Tekli Kanepeler, Kısa Arkalıklı Single Sofa with Short Backrest	83	130	78
Parantez Tekli Kanepeler, Uzun Arkalıklı Single Sofa with High Backrest	143	137	85
Parantez İkilili Kanepeler, Kısa Arkalıklı Double Sofa with Short Backrest	83	212	78
Parantez İkilili Kanepeler, Uzun Arkalıklı Double Sofa with High Backrest	143	216	85
<b>IMPALA</b>			
Impala Üçlü /Triple	70	198	70
Impala Dörtlü /Quadruple	70	258	70
Impala Beşli /Quintuple	70	318	70
<b>PANO</b>			
Pano Tekli /Single	58	91	88
Pano İkilili /Double	58	201	88
Pano Üçlü /Triple	58	231	88
<b>CORE</b>			
Core Tekli /Single	71	79	78
Core İkilili /Double	71	173	78
<b>HABIT</b>			
Habit Tekli /Single	74	72	74
Habit İkilili /Double	74	132	74
Habit Üçlü /Triple	74	192	74
<b>BRANDON</b>			
Brandon Tekli /Single	68	84	74
Brandon İkilili /Double	68	142	74
Brandon Üçlü /Triple	68	202	74
<b>PUNTO</b>			
Punto Tekli /Single	74	78	75
Punto İkilili /Double	74	133	75
Punto Üçlü /Triple	74	188	75
<b>BALLOON</b>			
Balloon Bazasız Flanş Ayaklı Flange plate without base	74	62	64
Balloon Bazasız Mil Ayaklı Pipe legged without base	74	62	64
Balloon Bazalı Flanş Ayaklı Flange legged with base	74	62	64
Balloon Bazalı Mil Ayaklı Shaft legged with base	74	62	64

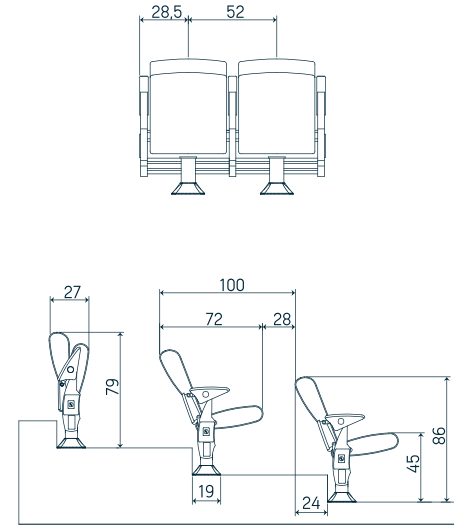
**KANEPE ÖLÇÜLERİ**  
**SOFA DIMENSIONS**

	A	B	C
<b>JOLLY</b>			
Jolly Tekli /Single	65	83	63
Jolly İkilili /Double	65	180	63
<b>FES</b>			
Fes	74	86	66
<b>CHESTER</b>			
Chester Tekli /Single	120	98	78
Chester İkilili /Double	192	98	78
Chester Üçlü /Triple	255	98	78
<b>BLOOM</b>			
Bloom Tekli /Single	95	79	80
Bloom İkilili /Double	152	79	80
Bloom Üçlü /Triple	212	79	80
<b>VOLGA</b>			
Volga Tekli /Single	75	80	73
Volga İkilili /Double	159	80	73
<b>CROWN</b>			
Crown Tekli /Single	110	95	88
Crown İkilili /Double	236	95	88
<b>CALDO</b>			
Caldo Tekli /Single	100	80	80
Caldo İkilili /Double	180	80	80
Caldo Üçlü /Triple	215	80	80
<b>MANGO</b>			
Mango Tekli /Single	105	88	78
Mango İkilili /Double	184	88	78
Mango Üçlü /Triple	245	88	78
<b>NOVITA</b>			
Novita Tekli /Single	85	80	75
Novita İkilili /Double	160	80	75
Novita Üçlü /Triple	189	80	75
<b>GENTILE</b>			
Gentile Tekli /Single	90	83	82
Gentile İkilili /Double	152	83	82
Gentile Üçlü /Triple	210	83	82
<b>CUBE</b>			
Cube Tekli /Single	78	66	70
Cube İkilili /Double	138	66	70
Cube Üçlü /Triple	199	66	70
<b>HANDY</b>			
Handy	61	63	82
<b>PRIMER</b>			
Primer	108	88-208	84
<b>FOLD PLUS</b>			
Fold Plus	90	88-192	87
<b>COSY</b>			
Cosy	78	75-183	79
Cosy Kapalı Kollu	78	75-183	79

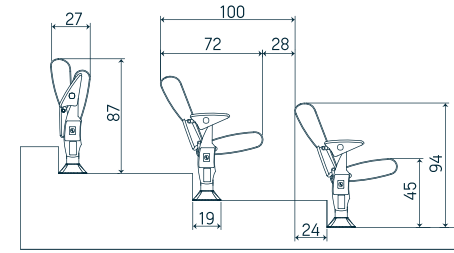
## BEKLEME GRUBU ÖLÇÜLERİ SOCIAL SEAT DIMENSIONS

	A	B	C
<b>STARK</b>			
Stark İkili Bekleme/Double	120	57	80
Stark İkili Bekleme Kolçaklı Sehpalı Double with Armrest & Table	178	57	80
Stark Üçlü Bekleme Kolçaklı Triple with Armrest	178	57	80
<b>NETY</b>			
Nety	218	74	80
<b>STONEBANK</b>			
Stonebank İkili /Double	110	45	44
Stonebank Üçlü /Triple	160	45	44
<b>KUVAR</b>			
Kuvars	200	60	47
<b>STYLE</b>			
Style	60	80	80
<b>FLUENT</b>			
Fluent Bekleme Arkalıklı, Döşemeli Furnished with backrest	240 180 120	59 59 59	80 80 80
Fluent Bekleme Arkalıklı With backrest	240 180 120	59 59 59	80 80 80
Fluent Bekleme Arkaliksız Without backrest	240 180 120	47 47 47	44 44 44
Fluent Bekleme Arkaliksız, Döşemeli Fluent furnished without backrest	240 180 120	47 47 47	44 44 44
<b>WARM</b>			
Warm	40	89	113
<b>SHADOW</b>			
Shadow 9	122-113	73	90-66
Shadow 3	100	71	68
<b>VIRGO</b>			
Virgo İkili Bekleme /Double	128	56	78
Virgo Üçlü Bekleme /Triple	193	56	78
<b>AERO</b>			
Aero İkili Bekleme /Double	126	57	76
Aero Üçlü Bekleme /Triple	191	57	73
<b>OMEGA</b>			
Omega İkili Bekleme /Double	115	59	90
Omega Üçlü Bekleme /Triple	172	59	90
Omega İkili Bekleme, Kolçaklı Double with armrest	115	59	90
Omega Üçlü Bekleme, Kolçaklı Triple with armrest	172	59	90

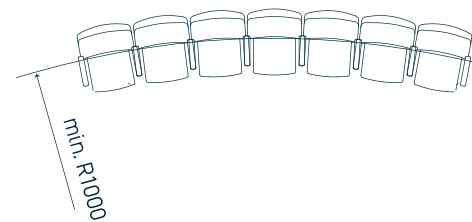
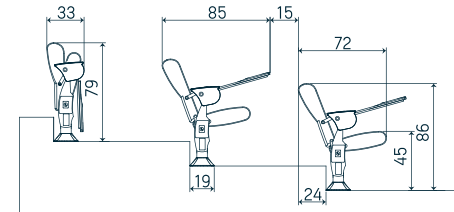
### RUBY



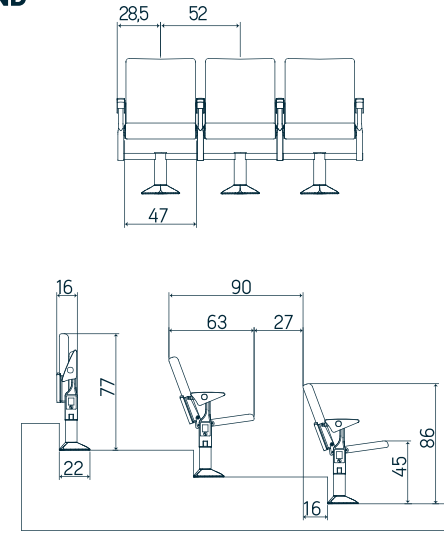
#### Ruby Uzun arkalıklı /With tall backrest



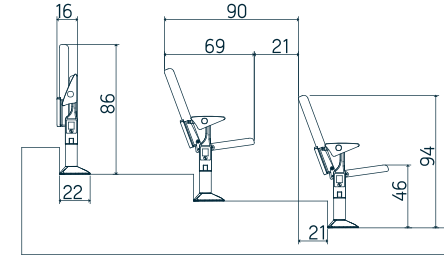
#### Ruby Yazı sehpalı /With writing desk



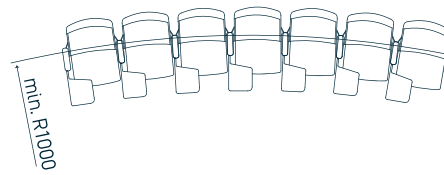
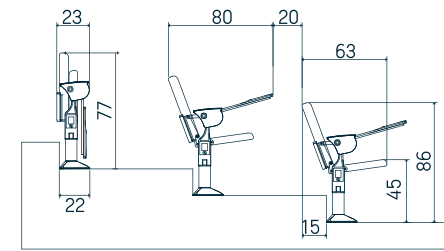
### DIAMOND



#### Diamond Uzun arkalıklı /With tall backrest

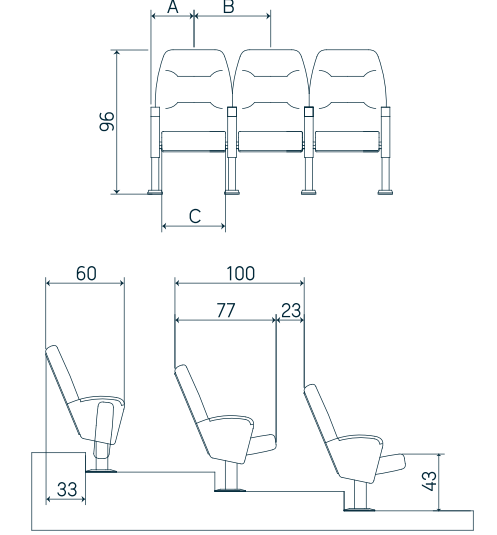


#### Diamond Yazı sehpalı /With writing desk



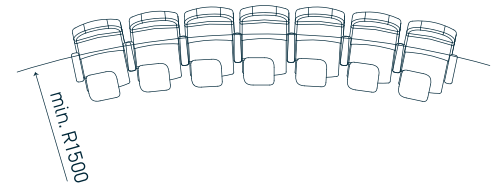
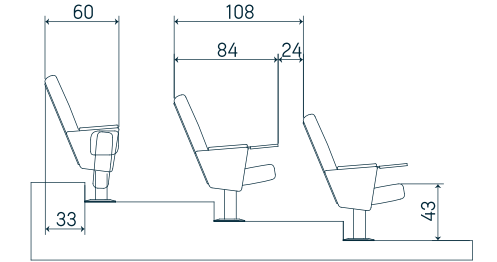
## KONFERANS GRUBU ÖLÇÜLERİ CONFERENCE CHAIR DIMENSIONS

### SEDIA

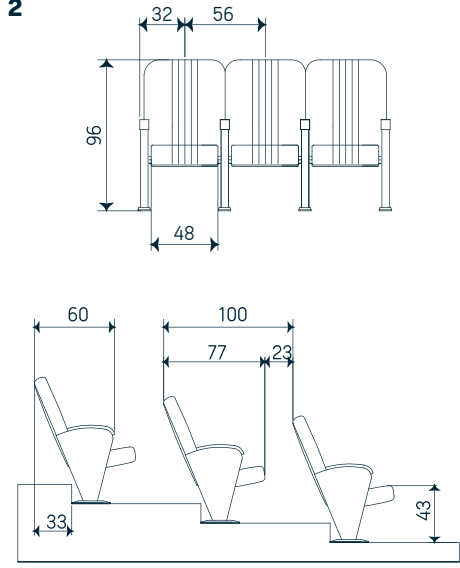


MODEL	A	B	C	Min,R
SEDIA I	30	52	44	1000
SEDIA II	32	56	48	1500

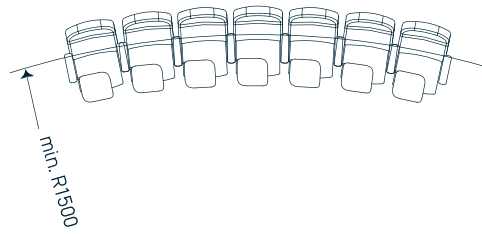
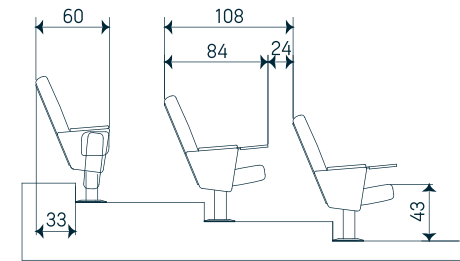
#### Sedia Yazı sehpalı /With writing desk



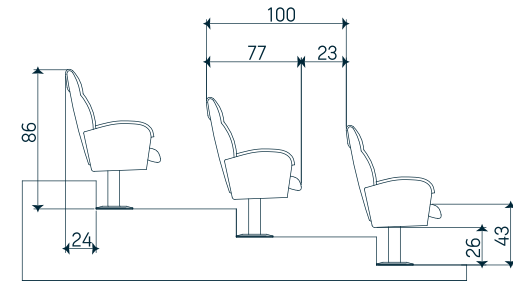
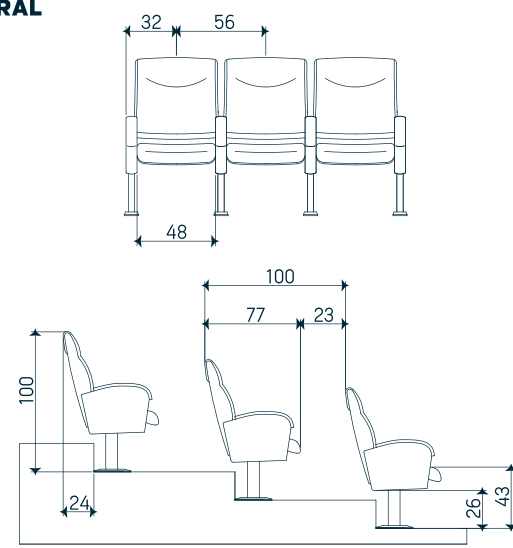
ARTICA 2



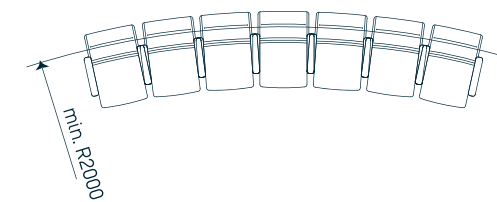
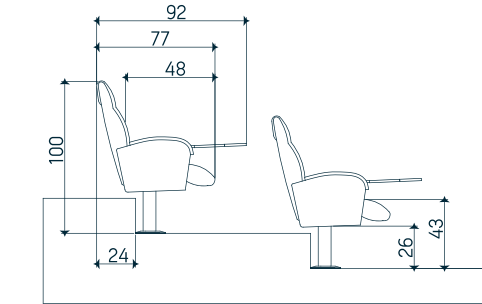
Artica 2 Yazı sehpalı/With writing desk



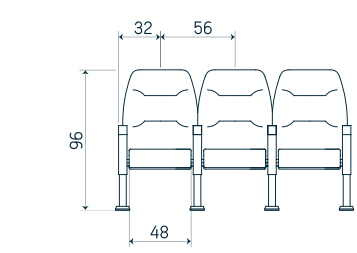
MISTRAL



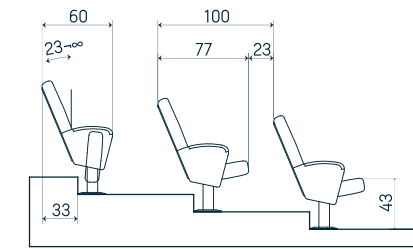
Mistral Yazı sehpalı /With writing desk



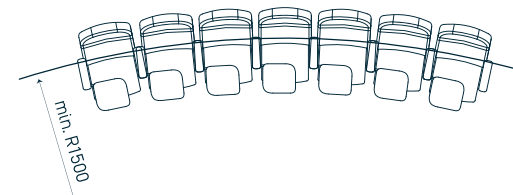
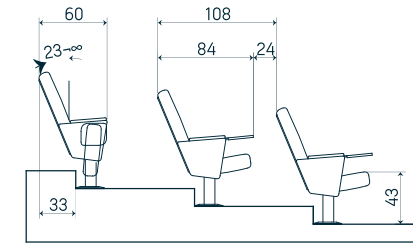
SEDIA 2



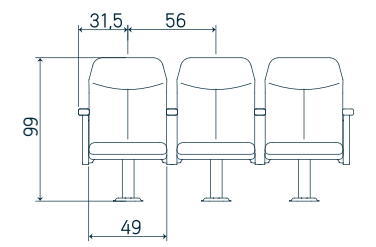
Standart Pozisyon



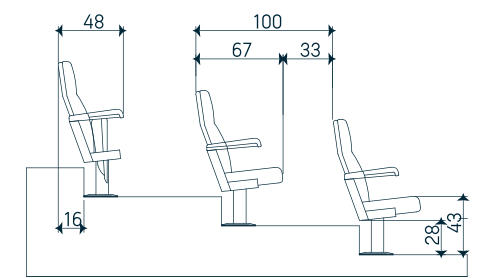
SEDIA II (Yazı sehpalı)



PEARL 2

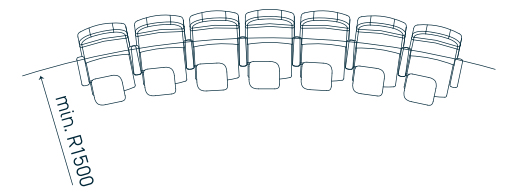
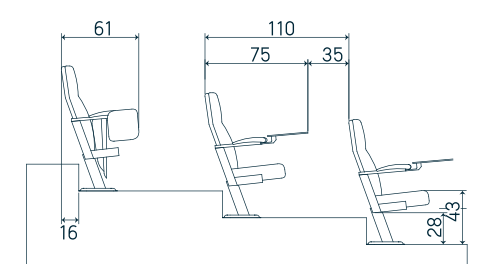


Pearl II

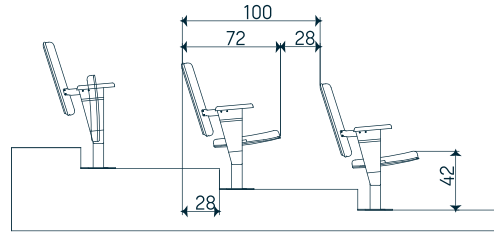
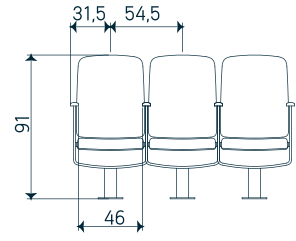


Ölçü birimi: cm

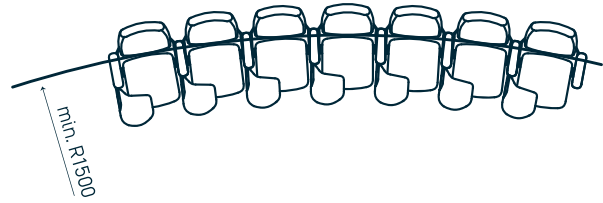
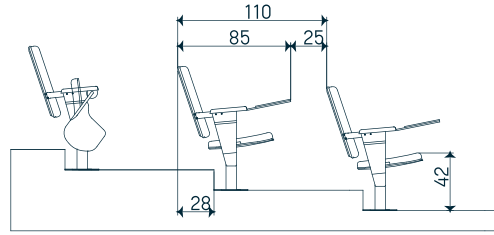
Pearl II Yazı sehpalı / With writing desk



ASTRO



Astro Yazı sehpalı / With writing desk





# bürosit

Demirtaş Organize Sanayi Bölgesi, 1. Nilüfer Sk.  
No: 5 PK 16369 DOSAB / Osmangazi / BURSA  
Tel: (0224) 280 20 00 GSM: 0507 980 20 00  
[info@burosit.com](mailto:info@burosit.com)

Satış Fax: (0224) 261 27 80  
Teknik Servis Fax: (0224) 280 20 46  
[teknikservis@burosit.com](mailto:teknikservis@burosit.com)

[www.burosit.com](http://www.burosit.com)